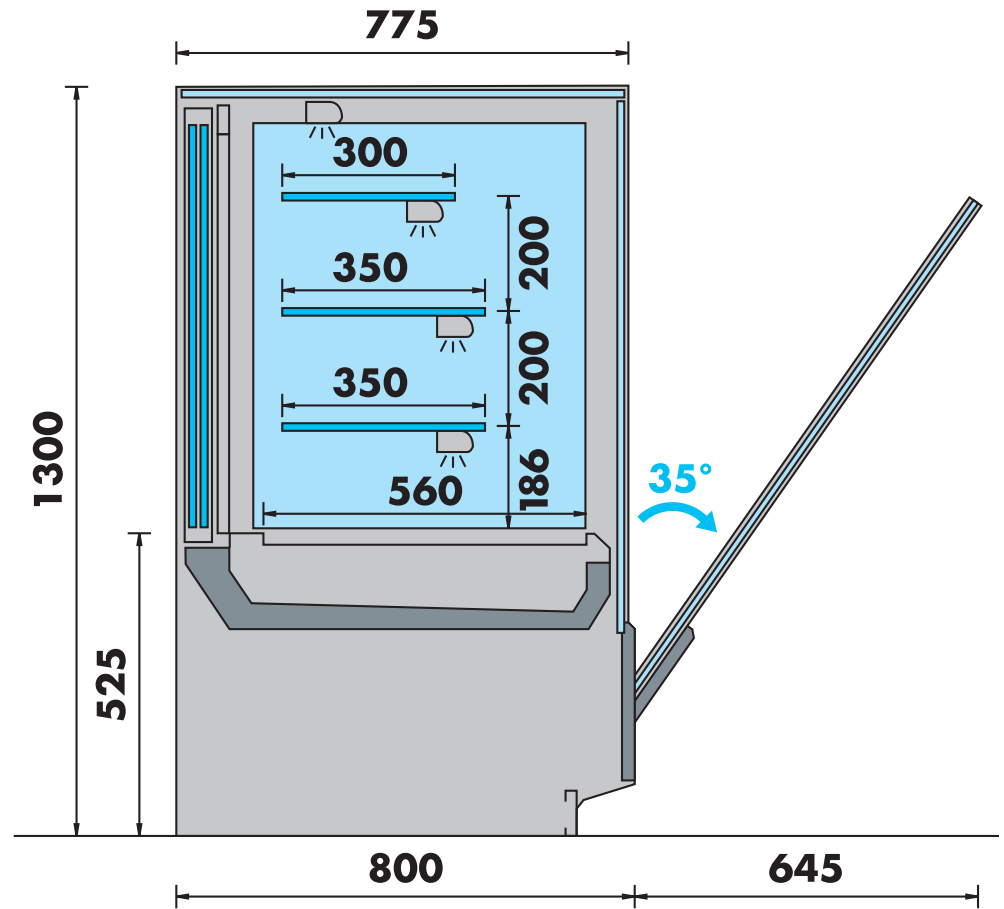



CHOPIN MESA TERMINAL
CHOPIN CASH DESK



CHOPIN FV

TEFCOLD 	Date: 02/02/23
Model: CHOPIN	Rev: 01
Dimensions:	Rev: JDA
Drawing No.	